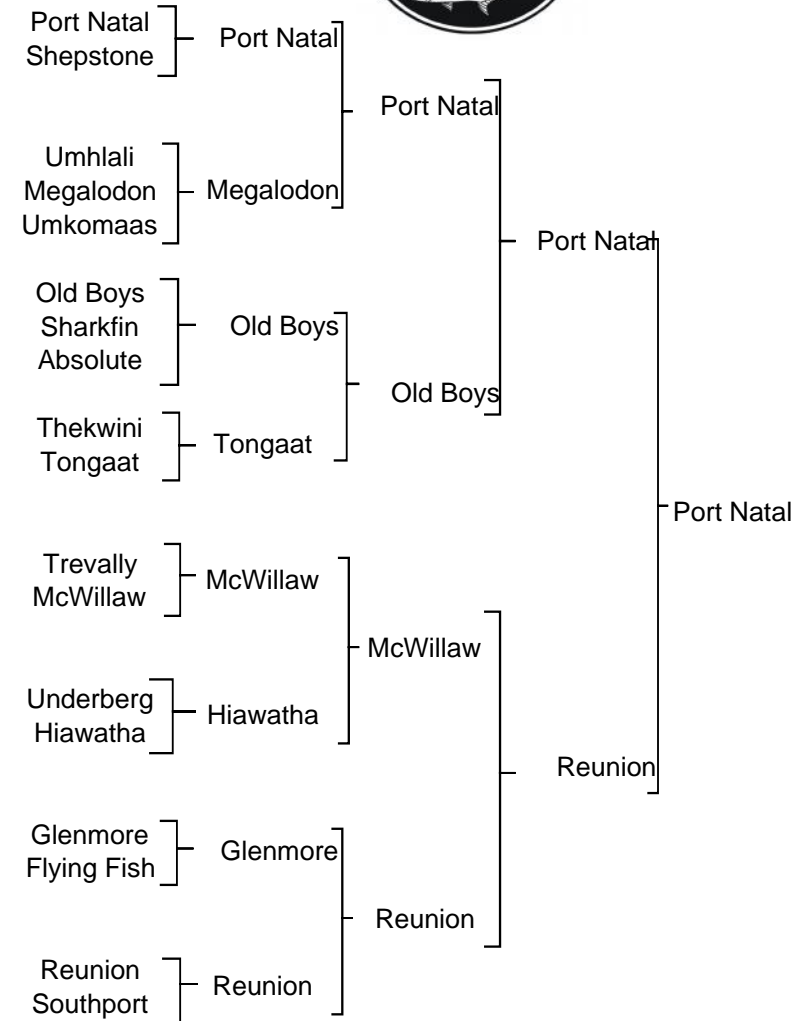


**KWAZULU NATAL COAST ANGLERS UNION**  
**POSTAL 2015 - 8th ROUND - OPEN TACKLE - 25-27 September 2015**



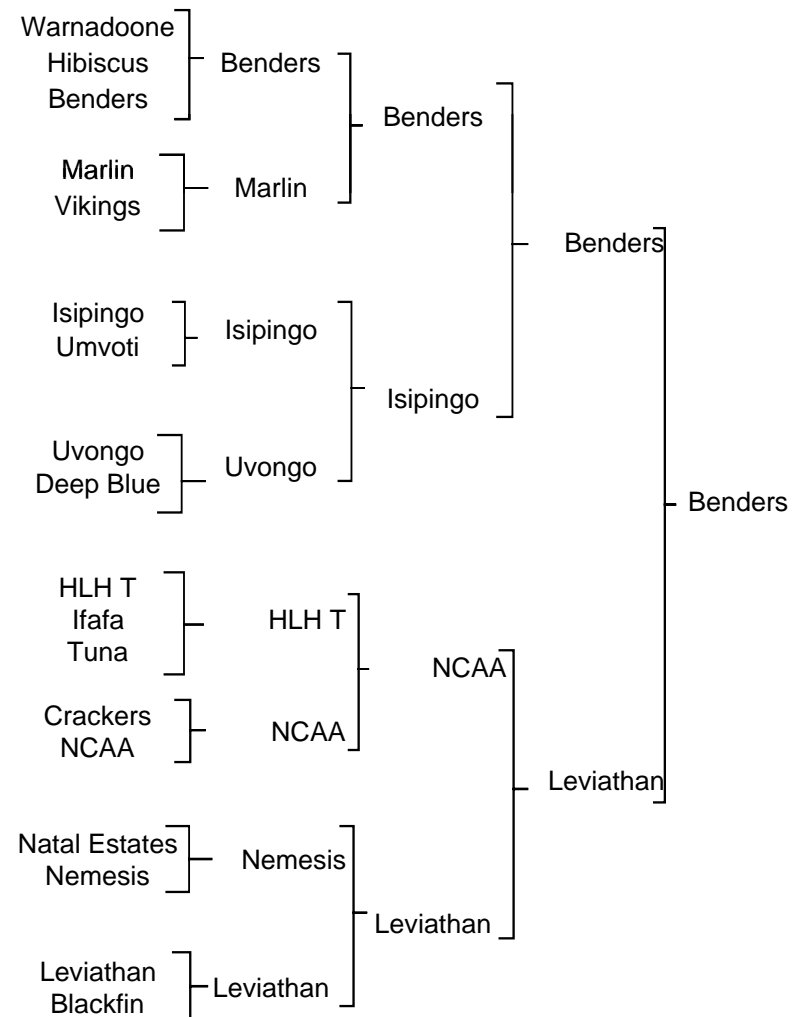
#	Club	Weight Points	No of Fish	League Points
1	ABSOLUTE	629.0	27	34
2	MEGALODON	379.2	44	33
3	GLENMORE	306.0	20	32
4	BLACKFIN	303.3	36	31
5	BENDERS	257.0	36	30
6	ISIPINGO	230.8	5	29
7	OLD BOYS	193.1	19	28
8	THEKWINI	177.0	27	27
9	LEVIATHAN	172.9	17	26
10	McWILLAW	159.4	11	25
11	N.C.A.A.	153.6	26	24
12	UMVOTI	112.4	18	23
13	PORT NATAL	111.3	4	22
14	HIAWATHA	105.0	8	21
15	HIBISCUS	76.1	16	20
16	VIKINGS	74.4	5	19
17	REUNION AC	67.2	6	18
18	WARNADOONE	53.8	5	17
19	CRACKERS	33.0	6	16
20	MARLIN	32.2	4	15
21	H.L.H TITANS	27.4	5	14
22	NEMESIS	27.4	9	14
23	IFafa BEACH	22.0	5	13
24	TONGAAT R & S	19.6	1	12
25	UVONGO	18.2	4	11
26	SHARKFIN AC	18.1	4	10
27	SHEPSTONE	17.4	3	9
28	FLYING FISH	13.2	1	8
29	TREVALLY	0.0	0	0
30	TUNA	0.0	0	0
31	UMHLALI	0.0	0	0

Allan Logan Shield  
 [Rounds 2, 4, 6 & 8]



**CHALLENGE SHIELD [Rounds 2, 4, 6 & 8]**

A		B		C	
N.C.A.A.	124	ABSOLUTE	91	BLACKFIN	96
LEVIATHAN	123	GLENMORE	86	ISIPINGO	83
BENDERS	121	MEGALODON	83	THEKWINI	64
OLD BOYS	116	H.L.H.T.A.C.	81	IFafa BEACH	53
PORT NATAL	102	WARNADOONE	79	SHEPSTONE	47
McWILLAW	98	TUNA	68	HIBISCUS	45
REUNION	90	VIKINGS	47	TREVALLY	43
TONGAAT	85	UVONGO	33	FLYING FISH	18
HIAWATHA	84	CRACKERS	31	SOUTHPORT	11
MARLIN	81	UMHLALI	28	NATAL ESTATES	6
UMVOTI	76	SHARKFIN	22		
NEMISES	72	UNDERBERG	13		



# KWAZULU-NATAL COAST ANGLERS UNION

POSTAL 2015 - 8th ROUND - OPEN TACKLE - 25-27 September 2015

## AGGREGATE CUP

LEVIATHAN	17398.5
N.C.A.A.	13665.4
BENDERS	6824.0
OLD BOYS	6667.5
HIAWATHA	6372.6
WARNADOONE	4914.0
McWILLAW	4345.4
PORT NATAL	3682.0
BLACKFIN	3302.1
ABSOLUTE	2766.3
H.L.H TITANS	2348.6
ISIPINGO	2021.0
REUNION AC	1848.0
MARLIN	1656.7
TONGAAT R & S	1537.6
NEMESIS	1504.1
CRACKERS	1200.3
MEGALODON	1186.2
GLENMORE	1150.6
TUNA	882.4
UMVOTI	714.3
VIKINGS	534.8
HIBISCUS	479.5
THEKWINI	417.5
UMHLALI	356.4
TREVALLY	227.3
IFafa BEACH	177.3
UVONGO	177.0
SHEPSTONE	156.9
FLYING FISH	155.5
SHARKFIN AC	145.4
UNDERBERG	18.6
NATAL ESTATES	12.8
SOUTHPORT	7.4

## MEMORIAL CUP

LEVIATHAN	452
N.C.A.A.	434
OLD BOYS	232
BENDERS	213
PORT NATAL	196
McWILLAW	159
HIAWATHA	153
BLACKFIN	139
TONGAAT R & S	127
MEGALODON	121
WARNADOONE	113
REUNION AC	102
ABSOLUTE	100
MARLIN	92
TUNA	89
GLENMORE	85
THEKWINI	84
H.L.H TITANS	82
UMVOTI	82
ISIPINGO	69
NEMESIS	64
UMHLALI	56
HIBISCUS	42
CRACKERS	41
FLYING FISH	39
TREVALLY	38
SHARKFIN AC	27
IFafa BEACH	26
SHEPSTONE	24
VIKINGS	22
UVONGO	16
UNDERBERG	6
SOUTHPORT	2
NATAL ESTATES	2

## LEAGUE CUP

LEVIATHAN	250
N.C.A.A.	241
OLD BOYS	240
PORT NATAL	221
BENDERS	220
McWILLAW	213
BLACKFIN	198
REUNION AC	181
GLENMORE	174
HIAWATHA	174
WARNADOONE	172
MARLIN	167
ISIPINGO	165
TUNA	156
UMVOTI	153
ABSOLUTE	152
H.L.H TITANS	149
TONGAAT R & S	145
NEMESIS	140
THEKWINI	112
HIBISCUS	111
MEGALODON	111
IFafa BEACH	98
CRACKERS	91
UMHLALI	86
TREVALLY	82
VIKINGS	77
SHEPSTONE	76
UVONGO	68
SHARKFIN AC	59
FLYING FISH	55
UNDERBERG	30
SOUTHPORT	20
NATAL ESTATES	13

POSTAL 2015 - 8th ROUND - OPEN TACKLE - 25-27 September 2015

TOP 40 - WEIGHT POINTS

Angler Code	First Name	Surname	Club Name	Weight Points
G3SO14	OCKERT	SCHONKEN	GLENMORE	199.1
I2DS11	STUART	DUNLOP	ISIPINGO	196.7
A3VR30	RIAAAN(JAN)	VAN NIEKERK	ABSOLUTE	195.9
A3EH42	HEINN	ESPACH	ABSOLUTE	183.4
M6GK12	KYLAN	GOVENDER	MEGALODON	130.3
M6GK03	KEVYN	GOVENDER	MEGALODON	107.7
G5SA01	ASHWIN	SINGH	BLACKFIN	92.0
G5SC04	CHAN	SINGH	BLACKFIN	76.6
A3PK20	KAMESH	PADAYACHEE	ABSOLUTE	76.1
M6PS08	SAYANDIRAN	PILLAY	MEGALODON	72.3
B1FM67	MATTHEW	FURNISS	BENDERS	72.0
A3DQ23	QUINTON	DAVIDS	ABSOLUTE	70.4
M6MV07	VADIVAL	MOODLEY	MEGALODON	68.9
L1MM91	MATTHEW	McIVER	LEVIATHAN	68.3
S5SG43	GRANT	ST CLAIR MULLEY	PORT NATAL	65.3
O2OR24	ROB	OPPERMAN	OLD BOYS	61.8
B1DC27	CLINTON	DUNK (DM)	BENDERS	55.5
G5SV18	VINAY	SEORAJ	BLACKFIN	55.4
B1CM17	MALCOLM	CURRIE	BENDERS	53.1
H2TL29	LARRY	TAIT	HIAWATHA	49.6
M5GR02	GRAYSON	GOVENDER	McWILLAW	47.3
L1AL76	LOUIS	ALLISON	LEVIATHAN	46.2
T4PT29	TERON	PERUMAL	THEKWINI	46.0
O2QC35	CHRIS	QUAYLE	OLD BOYS	43.7
V2LD10	DINESH	LALMAN	VIKINGS	43.1
G3VR11	RUDIE	VAN NIEKERK	GLENMORE	42.8
L1LL82	LLOYD	LAXTON	LEVIATHAN	41.6
A3UN01	NIRDEV	UDITH	ABSOLUTE	41.3
G5NA10	ANDREW	NARAINSAMY	BLACKFIN	38.9
N3RR76	ROBERT	RENALD	N.C.A.A.	37.9
L1TR81	RAY	THOMPSON	LEVIATHAN	37.0
T4IU21	UDAYRAJ	ISHWARLALL	THEKWINI	35.9
N3LM10	MORGAN	LYNCH	N.C.A.A.	35.8
U7VI38	ISAIAH	VARATHAN	UMVOTI	32.2
R3PT44	THOMERSHEN (T)	PILLAY	REUNION AC	31.7
O2KR37	ROBERT	KYLE	OLD BOYS	31.7
B1GS66	STEFAN	GERMANN	BENDERS	31.2
H4MM10	MOHAMMED	MOOSA	HIBISCUS	29.4
B1KG62	GUS	KALTENBRUN	BENDERS	29.2
B1KG63	GUS	KALTENBRUN [JNR]	BENDERS	28.8
I2KM29	MACKIE	KRUGER	ISIPINGO	28.6
A3ST03	TREVOR	SANDER	ABSOLUTE	27.7
H2GR72	ROWEN	GOVENDEN	HIAWATHA	26.7
H4NG11	GANAS	NAIDOO	HIBISCUS	25.6
W2JL57	LEON	JOONE	WARNADOONE	24.9
M5PS72	SIAN	PILLAY	McWILLAW	24.8
H1MC31	CHARLES	MONSON	H.L.H TITANS	24.7
N3TR71	RYAN	TAYLOR	N.C.A.A.	24.6
A3AP27	PRAGASEN	ALIMUTHOO	ABSOLUTE	23.5
T4RW27	WAYNE	RAMIAH	THEKWINI	23.4
G5RH40	HARISH	RAJARAM	BLACKFIN	23.4
R3ND28	DEAN	NAIDOO	REUNION AC	23.0
S5VW35	WILLEM	VILJOEN	PORT NATAL	23.0
S5VE13	EUGENE	VAN DER WESTHUIZEN	PORT NATAL	23.0
M5NN67	NARASHAN	NAIDOO	McWILLAW	22.5
T4SA28	AARON	SEOCHARAN	THEKWINI	22.1
G3VJ03	JACQUES	VENTER	GLENMORE	21.9
O2WC36	CRAIG	WELLS	OLD BOYS	21.8
B1TL02	LOUIS	TAYLOR	BENDERS	21.6
M5NK79	KEVIN	NAIDOO	McWILLAW	21.5
G3BG40	GRAME	BENNETT	GLENMORE	21.4
T5SS45	SHRINAAV	SAHADEV	TONGAAT R & S	19.6
M5PM11	MERVYN	PILLAY	McWILLAW	19.2
W2BA62	AIDEN	BALLAEVG	WARNADOONE	19.1
T4PR25	RISHILALL	PREETHLAL	THEKWINI	18.7
A3RR24	RANESH	RAMBARAN	ABSOLUTE	18.2

I1LJ14	JOHN	LINDSAY	IFafa BEACH	18.2
L1RC77	CHARLIE	ROSEVEAR	LEVIATHAN	18.1
N3BA78	ALAN	BRUMMER	N.C.A.A.	17.9
U7BT54	TYRIN	BAYNE	UMVOTI	17.9
U7MA49	ALI	MOHAMMAD	UMVOTI	17.8
N3PW77	WESLEY	PEENS	N.C.A.A.	17.7
O2PD13	DONALD	PITT	OLD BOYS	17.1
G5PS11	SANVIR	PAPA	BLACKFIN	17.0
O2MD03	DAYLE	MACK	OLD BOYS	17.0
M5CS80	SACHIN	CHATHARGOON	McWILLAW	16.8
N3LW81	WILLIAM	LANGFORD	N.C.A.A.	16.7
N3WB13	BLAYNE	WAREHAM	N.C.A.A.	16.5
A3VS41	SHUAIB	VAN DER SCHYFF	ABSOLUTE	16.0
M1PD01	DEAN	PRETORIUS	MARLIN	15.8
H4RS19	SATISH	RAMDIN	HIBISCUS	14.6
L1MD19	DARYL	McKENZIE	LEVIATHAN	13.4
M1TG20	GEORGE	TRIEPEI	MARLIN	13.4
H2RS34	STEVEN	ROUILLON	HIAWATHA	13.4
F2CG48	GODFREY	CHETTY	FLYING FISH	13.2
U5AN49	NATHAN	APPALRAJU	UVONGO	13.1
B1SA57	AVLIK	SINGH	BENDERS	13.0
O2DB43	BRETT	DICKSON	OLD BOYS	12.9
U7BJ53	JEREMY	BAYNE	UMVOTI	12.8
U7VE39	EMMANUEL	VARATHAN	UMVOTI	12.7
C2LG08	GARY	LLOYD	CRACKERS	12.5
U7RR52	RUWAAL	ROHITH	UMVOTI	12.5
B1SN56	NEM	SINGH	BENDERS	12.4
B1SN75	NERASH	SINGH	BENDERS	12.2
T4HJ43	JAINATH	HARSOO	THEKWINI	12.2
V2NA25	AJAN BOB	NEERMAL	VIKINGS	12.2
T4RS15	SANJAY	RAMSUROOP	THEKWINI	12.0
G3BB63	BYRON	BENNETT	GLENMORE	11.8
S6GK35	KYLE	GOVENDER	SHARKFIN AC	11.2
C2AE04	EWAN	ALANTHWAITE	CRACKERS	10.7
N7NS18	SAGIE	NAIDOO	NEMESIS	10.4
S3GD36	DEVANATHAN	GOUNDEN	SHEPSTONE	10.1
L1SG32	GREGORY	SUTHERLAND	LEVIATHAN	9.9
W2PM61	MARKHAM	POLLARD	WARNADOONE	9.8
N3OD18	DAVE	OELOFSE	N.C.A.A.	9.1
V2KS23	SAAGHIR	KADER	VIKINGS	9.0
V2SF01	FAZIL	SHEIK	VIKINGS	8.1
H2VM52	MICHAEL	VLCEK	HIAWATHA	8.0
O2GD38	DAVID	GAUL	OLD BOYS	7.7
C2LL14	LOUIS	LUTHER	CRACKERS	7.3
S3NC18	CLIVE	NAIDOO	SHEPSTONE	7.3
H2GB37	BRAD	GROBLER	HIAWATHA	7.3
M5TS50	SUNDRAN	THEVADASAN	McWILLAW	7.3
R3CJ53	JEROME	CHARLES	REUNION AC	7.0
S6ND31	DEVRAJ	NAIDOO	SHARKFIN AC	6.9
G3BI66	ILLANA	BENNETT	GLENMORE	6.8
L1JS09	SHAUN	JACOBS	LEVIATHAN	6.7
T4BA40	AVINASH	BALARAM	THEKWINI	6.7
N3ID31	DAVE	IRVINE	N.C.A.A.	6.7
N7SJ53	JEROME	SIRIPAT	NEMESIS	6.6
U7CK51	KUGAN	CHETTY	UMVOTI	6.5
L1RR96	RALPH	RIGGIEN	LEVIATHAN	6.1
N7MT24	CRAIG	MOONSAMI	NEMESIS	6.0
B1CC04	CAMMY	CLARKE	BENDERS	5.7
B1KT73	THOMAS	KONIG	BENDERS	5.7
I2DN55	MICHAEL	DYER	ISIPINGO	5.5
N3GD73	DION	GOVINDER	N.C.A.A.	5.3
U5TM77	MICHAEL	TAYLOR	UVONGO	5.1
H4MM36	MOHAMED	MOOLLA	HIBISCUS	4.3
I1SL21	LAWRENCE	SCHRODER	IFafa BEACH	3.8
R3CR26	RAMLOO	CHETTY	REUNION AC	3.5
M1AN67	NEIL	ARLOW	MARLIN	3.0
H1SR36	RAVEEN	SINGH	H.L.H TITANS	2.7
C2CG13	GREG	CROUCH	CRACKERS	2.5
N7MN05	NAVIN	MOHUNLAL	NEMESIS	2.4
G3SO71	OCKERT	SCHONKEN[JNR]	GLENMORE	2.2
H4HC30	CLINTON	HESLOP	HIBISCUS	2.2

N7NW07	WILLY	NAICKER	NEMESIS	2.0
V2JA19	AVASH	JUGGERNATH	VIKINGS	2.0
R3CS48	SAVESHEN	CHETTY	REUNION AC	2.0

POSTAL 2015 - 8th ROUND - OPEN TACKLE - 25-27 September 2015

**2015**

**TOP 40 - WEIGHT POINTS – CUMULATIVE**

<u>Angler Code</u>	<u>First Name</u>	<u>Surname</u>	<u>Club Name</u>	<u>Weight_Points</u>
L1TR81	RAY	THOMPSON	LEVIATHAN	2536.5
N3LM10	MORGAN	LYNCH	N.C.A.A.	2513.5
L1LL82	LLOYD	LAXTON	LEVIATHAN	2503.3
L1MD19	DARYL	McKENZIE	LEVIATHAN	2400.8
L1AL76	LOUIS	ALLISON	LEVIATHAN	2272.5
N3PW77	WESLEY	PEENS	N.C.A.A.	2038.7
L1SG32	GREGORY	SUTHERLAND	LEVIATHAN	2011.9
L1RC77	CHARLIE	ROSEVEAR	LEVIATHAN	1948.2
H2DT69	TIMOTHY	DUNK	HIAWATHA	1931.6
N3TR71	RYAN	TAYLOR	N.C.A.A.	1896.6
N3WB50	BARRY	WAREHAM	N.C.A.A.	1734.3
N3WB13	BLAYNE	WAREHAM	N.C.A.A.	1500.6
L1NV26	VELOSHAN	NAICKER	LEVIATHAN	1494.3
L1MM91	MATTHEW	McIVER	LEVIATHAN	1494.1
L1RN92	NICHOLAS	ROBINSON	LEVIATHAN	1452.8
L1KM27	MIKE	KARON	LEVIATHAN	1432.6
N3WC41	CRAIG	WESLEY	N.C.A.A.	1349.8
N3GD73	DION	GOVINDER	N.C.A.A.	1333.0
O2KR37	ROBERT	KYLE	OLD BOYS	1307.9
N3DP22	PETER	DRAKE	N.C.A.A.	1254.4
B1GS66	STEFAN	GERMANN	BENDERS	1239.4
H2ZJ45	JUSTIN	ZEELIE	HIAWATHA	1190.9
L1ML93	LUKE	McKENZIE	LEVIATHAN	1149.5
O2MD03	DAYLE	MACK	OLD BOYS	1123.5
H2VM52	MICHAEL	VLCEK	HIAWATHA	1108.1
N3ID31	DAVE	IRVINE	N.C.A.A.	977.8
L1JR22	RICKY	JACOBS	LEVIATHAN	950.8
G5NA10	ANDREW	NARAINSAMY	BLACKFIN	944.9
O2QC35	CHRIS	QUAYLE	OLD BOYS	921.2
M5CS80	SACHIN	CHATHARGOON	McWILLAW	910.2
B1FM67	MATTHEW	FURNISS	BENDERS	899.0
W2VH01	HENDRIK	VORSTER	WARNADOONE	894.5
H2TM74	MARTIN	TALJAARD	HIAWATHA	871.6
A3EH42	HEINN	ESPACH	ABSOLUTE	836.6
N3GJ12	JUSTIN	GIAI-MINIETTI	N.C.A.A.	829.8
M5NK79	KEVIN	NAIDOO	McWILLAW	829.3
O2WC36	CRAIG	WELLS	OLD BOYS	820.2
H1SR36	RAVEEN	SINGH	H.L.H TITANS	788.5
B1KG63	GUS	KALTENBRUN [JNR]	BENDERS	782.0
A3VR30	RIAAN(JAN)	VAN NIEKERK	ABSOLUTE	772.3
N3BA78	ALAN	BRUMMER	N.C.A.A.	766.3
B1KG62	GUS	KALTENBRUN	BENDERS	747.4
W2SS27	SEAN	SAVILLE	WARNADOONE	742.8
L1MK86	KRIESEN	MOODLEY	LEVIATHAN	710.7
O2DB43	BRETT	DICKSON	OLD BOYS	693.6
G5SA01	ASHWIN	SINGH	BLACKFIN	683.7
H1GP38	PASLENE	GOVENDER	H.L.H TITANS	675.0
G5SC04	CHAN	SINGH	BLACKFIN	665.8
O2RV12	VAUGHAN	REILLY	OLD BOYS	664.6
B1SA57	AVLIK	SINGH	BENDERS	645.1
N3RR76	ROBERT	RENALD	N.C.A.A.	634.8
W2BR31	RENIER	BEKKER	WARNADOONE	633.2
S5AH01	HEINRICH	ALLERS	PORT NATAL	626.3
S5VE13	EUGENE	VAN DER WESTHUIZEN	PORT NATAL	614.5
M5GR02	GRAYSON	GOVENDER	McWILLAW	613.5

B1DC27	CLINTON	DUNK (DM)	BENDERS	612.1
I2KM29	MACKIE	KRUGER	ISIPINGO	610.2
S5SG43	GRANT	ST CLAIR MULLEY	PORT NATAL	596.1
O2OR24	ROB	OPPERMAN	OLD BOYS	591.1
B1TL02	LOUIS	TAYLOR	BENDERS	581.6
M5AM77	MOHAMMED	AZGHAR SHEIK	McWILLAW	565.5
W2SJ53	KOOT	SCHEEPERS	WARNADOONE	562.3
S5SB39	BRUCE	SWANEPOEL	PORT NATAL	551.8
I2SG07	GAVIN	SWARTS	ISIPINGO	536.0
W2AL51	LIAM	ARFINGSHALL	WARNADOONE	532.1
O2GD38	DAVID	GAUL	OLD BOYS	528.0
W2PI55	IAN	PRETORIUS	WARNADOONE	515.5
w2DE13	EDDIE	DE BRUYN	WARNADOONE	455.9
W2PS58	SIAN	PRETORIUS	WARNADOONE	445.4
S5DJ20	JAN	DE JONGH	PORT NATAL	431.2
G5GR31	REMLIN	GOUNDEN	BLACKFIN	426.1
T5SS45	SHRINAAV	SAHADEV	TONGAAT R & S	422.5
B1CB71	BERNIE	CLARKE	BENDERS	417.5
S5VP46	PIERRE	VILJOEN	PORT NATAL	416.2
H2GR72	ROWEN	GOVENDEN	HIAWATHA	410.9
N3YT61	TISH	YELLAND	N.C.A.A.	401.8
H2GR73	RAVI	GOVENDEN	HIAWATHA	399.6
M6GK12	KYLAN	GOVENDER	MEGALODON	389.0
C2AE04	EWAN	ALANTHWAITE	CRACKERS	386.9
R3SN15	NERASH	SINGH	REUNION AC	378.2
N7NW07	WILLY	NAICKER	NEMESIS	368.0
T5MT11	THASVIR	MUNGAL	TONGAAT R & S	362.3
M5TS50	SUNDRAN	THEVADASAN	McWILLAW	361.3
B1CC04	CAMMY	CLARKE	BENDERS	338.4
O2PD13	DONALD	PITT	OLD BOYS	336.8
O2SB40	BRADLEY	SWAN	OLD BOYS	336.8
W2CV44	VAUGHN	CLENDENNER	WARNADOONE	330.6
N3GS74	SHARMLIN	GOVENDER	N.C.A.A.	324.3
T2GL13	LANCE	GROBLER	TUNA	316.6
M1AN67	NEIL	ARLOW	MARLIN	312.4
H2GB37	BRAD	GROBLER	HIAWATHA	306.7
M5GK40	KAVEN	GOVENDER	McWILLAW	304.7
B1CM17	MALCOLM	CURRIE	BENDERS	303.5
M5PM11	MERVYN	PILLAY	McWILLAW	299.2
I2DS11	STUART	DUNLOP	ISIPINGO	291.3
H2GE62	ETIENNE	GERBER	HIAWATHA	288.7
G5RH40	HARISH	RAJARAM	BLACKFIN	287.3
T5SR35	RYAN	SINGH	TONGAAT R & S	283.7
M6GK03	KEVYN	GOVENDER	MEGALODON	274.6
M1AR76	ROY	ALDERSON	MARLIN	264.2
G3SO14	OCKERT	SCHONKEN	GLENMORE	263.5
S5BC02	COENRAAD	BEZUIDENHOUT	PORT NATAL	262.7
R3NK12	KRISH	NAIDOO	REUNION AC	259.8
A3ST03	TREVOR	SANDER	ABSOLUTE	257.0
N7NS18	SAGIE	NAIDOO	NEMESIS	250.2
R3GJ35	JACE	GOVENDER	REUNION AC	249.1
C2VC05	CLIVE	VAN RENSBURG	CRACKERS	238.7
M1PD01	DEAN	PRETORIUS	MARLIN	236.8
V2LD10	DINESH	LALMAN	VIKINGS	236.4
B1MD26	DAVID	MURGATROYD	BENDERS	233.5
H2KN55	NATHAN	KEEGAN	HIAWATHA	232.7
B1SN56	NEM	SINGH	BENDERS	231.8
I2BA25	ALAN	BOTHA	ISIPINGO	228.4
H1SA52	ABESHAN	SUDU	H.L.H TITANS	228.2
R3MS02	SELVAN	MOODLEY	REUNION AC	225.9

H2RS34	STEVEN	ROUILLON	HIAWATHA	224.5
N7MT24	CRAIG	MOONSAMI	NEMESIS	219.5
S5VW35	WILLEM	VILJOEN	PORT NATAL	218.5
M1TG20	GEORGE	TRIEPEI	MARLIN	217.7
G5PS11	SANVIR	PAPA	BLACKFIN	216.1
I2RM18	MICHAEL	RODGER	ISIPINGO	212.7
B1DR22	BOBBIE	DEUTSCHMANN	BENDERS	211.8
R3ND28	DEAN	NAIDOO	REUNION AC	208.3
B1MK58	KEAGAN	MURGATROYD	BENDERS	205.7
M5PS72	SIAN	PILLAY	McWILLAW	202.1
N3LW81	WILLIAM	LANGFORD	N.C.A.A.	201.2
A3VS41	SHUAIB	VAN DER SCHYFF	ABSOLUTE	200.6
M1LJ17	JOHANN	LINDEQUE	MARLIN	198.7
M6MV07	VADIVAL	MOODLEY	MEGALODON	197.5
R3LT09	TYRONE	LEEMANS	REUNION AC	195.4
G3DG68	GERRIT	DU PLESSIS	GLENMORE	191.3
H1NL55	LUSHEN	NAIDOO	H.L.H TITANS	183.1
M6PS08	SAYANDIRAN	PILLAY	MEGALODON	181.9
T2BG17	GARY	BOULANGER	TUNA	178.5
A3MM07	MARK	MELLON	ABSOLUTE	177.1
H1NK40	KEVIN(SHANE)	NAIDOO	H.L.H TITANS	169.3
C2MI16	IAN	MASON	CRACKERS	164.5
N7NR07	RAVI	NAIDOO	NEMESIS	159.8
H4SD02	DEEPAK	SEWPERSAD	HIBISCUS	159.7
L1RR96	RALPH	RIGGIEN	LEVIATHAN	159.3
N7JR48	RAJESH	JAGROP	NEMESIS	159.1
C2LG08	GARY	LLOYD	CRACKERS	155.7
N3BC26	CHRIS	BUITENDACH	N.C.A.A.	154.3
T5SK43	KESHAV	SAHADEV	TONGAAT R & S	154.2
N7PS03	SELVA	PILLAY	NEMESIS	144.2
U7VE39	EMMANUEL	VARATHAN	UMVOTI	144.1
H1VK49	H1VK49	VASAR	H.L.H TITANS	144.1
M6NC22	CLAUDE	NAIDOO	MEGALODON	143.2
B1KT73	THOMAS	KONIG	BENDERS	139.1
T2RA11	GERRY	RAMBARAN	TUNA	138.3
V2MZ12	ZAHED(GHOTI)	MOOSA	VIKINGS	136.9
G3BG40	GRAME	BENNETT	GLENMORE	134.4
C2GM20	MARTIN	GORDON	CRACKERS	133.0
A3DQ23	QUINTON	DAVIDS	ABSOLUTE	131.4
N7MN05	NAVIN	MOHUNLAL	NEMESIS	131.1
A3PK20	KAMESH	PADAYACHEE	ABSOLUTE	129.9
M1SN61	NICOLAAS	SMIT	MARLIN	129.0
N7PP06	PATHMANATHAN	PILLAY	NEMESIS	125.0
U7MA49	ALI	MOHAMMAD	UMVOTI	121.9
T5SN34	NIRESH	SEWCHAND	TONGAAT R & S	120.7
H1ND37	DHAVEN	NAIDOO	H.L.H TITANS	119.4
R3MS45	SAGREN	MOODLEY	REUNION AC	116.4
N7OF22	FEEYAZ	OSMAN	NEMESIS	116.3
R3GK34	KIOSHAN	GOVENDER	REUNION AC	114.9
M1MC60	CLIVE	MARKS	MARLIN	112.8
A3SA17	ASHWIN[ASH]	SINGH	ABSOLUTE	112.6
M5SA12	ARJOON	SINGH	McWILLAW	110.4
M1AL63	LIZE	ARLOW	MARLIN	109.4
R3CR26	RAMLOO	CHETTY	REUNION AC	108.3
N7CV23	VIS	CHETTY	NEMESIS	108.0
G3NP77	PIETER	NOETH	GLENMORE	105.7
U5CK10	KEVIN	COWAN	UVONGO	103.4
U2JR99	ROB	JAMESON	UMHLALI	101.6
H4GD15	DESMOND	GOVENDER	HIBISCUS	101.2
M5VR82	RYAN	VARDEN	McWILLAW	100.7



G3GM74	MORNE	GARDINER	GLENMORE	100.1
H2RK20	KEITH	ROBERTSON	HIAWATHA	97.9
M5IM81	MOHAMED	IRSHAD FARID	McWILLAW	97.1
M5RA62	ASHEER	RAMKALAWAN	McWILLAW	96.4
U2MI62	IAN	MULCAHY	UMHLALI	92.2
O2BJ44	JASON	BANKS	OLD BOYS	90.6
G3VJ03	JACQUES	VENTER	GLENMORE	90.6
H2TL29	LARRY	TAIT	HIAWATHA	89.5
U7RN47	NITESH	RAMLUCKAN	UMVOTI	89.2
L1JS09	SHAUN	JACOBS	LEVIATHAN	88.6
T5MM42	MEGANDHREN	MOONSAMI	TONGAAT R & S	84.8
T4PT29	TERON	PERUMAL	THEKWINI	84.4
T2MS51	SANJEEVAN	MOODLEY	TUNA	81.8
G3VR75	RAYMOND	VAN GOEVERDEN	GLENMORE	80.9
I2PB47	BRADLEY	PRISMAIL	ISIPINGO	76.2
T4IU21	UDAYRAJ	ISHWARLALL	THEKWINI	72.1
R3CJ53	JEROME	CHARLES	REUNION AC	72.1
U7BT54	TYRIN	BAYNE	UMVOTI	71.7
S5HV38	VERITY	HAYTER	PORT NATAL	70.5
U2WA89	ALEXANDER	WHITEHEAD	UMHLALI	67.3
S3MC04	CHARLES	MADARAVIRAN	SHEPSTONE	67.1
I1LJ14	JOHN	LINDSAY	IFafa BEACH	66.9
H4MM10	MOHAMMED	MOOSA	HIBISCUS	64.7
T5SD37	SESAN	SOOBRAMONEY	TONGAAT R & S	63.8
U7VI38	ISAIAH	VARATHAN	UMVOTI	62.8
T4RW27	WAYNE	RAMIAH	THEKWINI	62.1
R3PS01	SUN DESH	PURSAD	REUNION AC	60.8
T3KB40	BASHIN	KISTNAN	TREVALLY	59.9
U7BJ53	JEREMY	BAYNE	UMVOTI	59.5
A3RD29	DION	ROODT	ABSOLUTE	59.4
V2PS07	SIVA	PILLAY	VIKINGS	59.0
G5SV18	VINAY	SEORAJ	BLACKFIN	58.8
A3LT43	TYRONE	LEEMANS	ABSOLUTE	56.6
N3PG64	GLEN	PATERSON	N.C.A.A.	55.7
T2BD02	DORIAN	BENNETTS	TUNA	55.7
I2JP32	POUL	JENSEN	ISIPINGO	55.7
A3AW04	WARREN	ANTHONY	ABSOLUTE	55.1
R3PT44	THOMERSHEN (T)	PILLAY	REUNION AC	54.8
N3OD18	DAVE	OEOFSE	N.C.A.A.	54.5
R3NC52	COHIN	NAICKER	REUNION AC	54.5
F2CG48	GODFREY	CHETTY	FLYING FISH	54.4
I1KB11	BARRY	KRAUSE	IFafa BEACH	54.1
G3MK70	KENNETH	McLACHLAN	GLENMORE	53.4
T3SR36	ROBIN	SEWDULAR	TREVALLY	53.2
S5BC03	CLINTON	BEZUIDENHOUT	PORT NATAL	53.1
N7SK50	KAMITH	SADHABIRISS	NEMESIS	52.9
C2GI40	IAN	GORDON	CRACKERS	52.0
U7GR50	ROWAN	GOPAUL	UMVOTI	50.6
G3VR11	RUDIE	VAN NIEKERK	GLENMORE	49.6
T2SA56	ANDREW	SMITH	TUNA	48.6
U2NG35	GUY	NICHOLSON	UMHLALI	48.4
N7PM17	MYAN	PADAYACHEE	NEMESIS	47.7
C2DG41	GRANT	GRANT	CRACKERS	47.7
S3NC18	CLIVE	NAIDOO	SHEPSTONE	46.5
U7IJ45	JUNAID	ISMAIL	UMVOTI	46.4
T2SM57	MICHAEL	STUBBS	TUNA	45.2
T4SA28	AARON	SEOCHARAN	THEKWINI	44.3
V2LK03	KILLER (KIREN)	LALMAN	VIKINGS	43.2
M1NC70	CHRISTINE	NEL	MARLIN	42.9
A3UN01	NIRDEV	UDITH	ABSOLUTE	41.3

T4RS05	SANJEEN	RAMSUROOP	THEKWINI	37.0
M1DC35	CASSIE	DE CLERQ	MARLIN	36.1
M5NN67	NARASHAN	NAIDOO	McWILLAW	35.7
U7CK51	KUGAN	CHETTY	UMVOTI	35.3
H4NG11	GANAS	NAIDOO	HIBISCUS	35.0
T4PR25	RISHILALL	PREETHLAL	THEKWINI	34.5
M1JK82	KOBUS	JANSE VAN VUUREN	MARLIN	33.6
S6NR10	RALDEN	NAICKER	SHARKFIN AC	33.4
H4MM36	MOHAMED	MOOLLA	HIBISCUS	33.1
U5TM77	MICHAEL	TAYLOR	UVONGO	32.3
H4RR53	REEVEK	RAMLALL	HIBISCUS	31.8
H4RS19	SATISH	RAMDIN	HIBISCUS	31.8
A3AP27	PRGASEN	ALIMUTHOO	ABSOLUTE	31.7
S5WK27	KEITH	WILLIAMS	PORT NATAL	31.5
T5DV13	VINESH	PRAGALATH	TONGAAT R & S	29.8
I1SL21	LAWRENCE	SCHRODER	IFAFA BEACH	29.3
F2CC43	CHRISTY	CHETTY	FLYING FISH	29.0
F2NG18	GRINGO	NAICKER	FLYING FISH	28.9
T3ND39	DARREN	NUNDKISUN	TREVALLY	28.6
R3HR17	ROHAN	HARILAL	REUNION AC	28.3
U2DK36	KOBUS	DU PLESSIS	UMHLALI	26.2
M5AP61	PERROSHAN	ACHARY	McWILLAW	25.7
T4HJ43	JAINATH	HARSOO	THEKWINI	25.0
T4RS15	SANJAY	RAMSUROOP	THEKWINI	25.0
W2JL57	LEON	JOONE	WARNADOONE	24.9
H1MC31	CHARLES	MONSON	H.L.H TITANS	24.7
S6GK35	KYLE	GOVENDER	SHARKFIN AC	24.6
W2BA62	AIDEN	BALLAEVG	WARNADOONE	24.5
G3AD78	DEAN	ANGOVE	GLENMORE	24.5
A3RR24	RANESH	RAMBARAN	ABSOLUTE	24.4
G3JA76	ABRAHAM	JANSEN VAN RENSBURG	GLENMORE	24.2
V2NA25	AJAN BOB	NEERMAL	VIKINGS	24.0
G3BB63	BYRON	BENNETT	GLENMORE	23.4
T3GN47	NOEL	GABRIEL	TREVALLY	23.0
U7RR52	RUWAAL	ROHITH	UMVOTI	23.0
U2LH17	HEIKO	LILJE	UMHLALI	22.6
S6MK05	KEITH	MUDARY	SHARKFIN AC	22.3
T3SR19	DANNY	SEWDULAR	TREVALLY	22.0
S3RV41	VIMAL	ROOPNARAIN	SHEPSTONE	21.2
U5AN49	NATHAN	APPALRAJU	UVONGO	20.7
N3DC11	CHRIS	DALES	N.C.A.A.	20.6
H4MR45	RIYADH	MOOLLA	HIBISCUS	20.0
A3NN09	NOEL	NADASEN	ABSOLUTE	19.8
T3SP48	PRAVATH	SEWDULAR	TREVALLY	19.7
F2MA20	ALEESHAN	MUDERA MUTHU	FLYING FISH	19.0
S6DR39	ROLAND	DEBIPERSAD	SHARKFIN AC	18.0
F2MK05	KUBEN	MUDERA MUTHU	FLYING FISH	17.4
R3GK50	KUMERSHEN	GOVENDER	REUNION AC	17.0
T4BA40	AVINASH	BALARAM	THEKWINI	16.4
S6SY53	YUVELLAN	SOOKAYE	SHARKFIN AC	16.4
U5AD81	DEAN	ANGOVE	UVONGO	16.4
S3GD36	DEVANATHAN	GOUNDEN	SHEPSTONE	16.3
H1PM54	MARIUS	PIENAAR	H.L.H TITANS	16.3
S6NB20	BARBS	NAICKER	SHARKFIN AC	16.2
T5GT32	TINESAN	GOVENDER	TONGAAT R & S	15.8
W2PM61	MARKHAM	POLLARD	WARNADOONE	15.8
M1PC52	CRAIG	PRETORIUS	MARLIN	15.6
S5VS43	SACHALI	VILJOEN	PORT NATAL	15.0
R3CS48	SAVESHEN	CHETTY	REUNION AC	14.9
N7JC52	CHEYNE	JOHN	NEMESIS	14.2

U9HM09	MIKE	HERHOLDT	UNDERBERG	14.2
T2KK31	KURT	KUHN	TUNA	13.7
N7DK49	KAPIL	DEVUNATH	NEMESIS	13.5
V2PD22	DEVADASAN	PILLAY	VIKINGS	13.2
G5SF23	FAROOK	SHAIK HASSAN	BLACKFIN	12.6
B1SN75	NERASH	SINGH	BENDERS	12.2
C2AJ07	JORDAN	ALANTHWAITE	CRACKERS	12.0
T4CS02	STANLEY	CHETTY	THEKWINI	11.9
H2VC58	CHRISTOPHER	VORSTER	HIAWATHA	11.7
I1FR20	RICHARD	FULLAGAR	IFafa BEACH	11.6
M1SK77	KRISSI	SCOTT	MARLIN	11.4
T2LK29	KEAGAN	LORENZO	TUNA	10.8
T2SG16	GARY	SINCLAIR	TUNA	10.7
I2DN55	MICHAEL	DYER	ISIPINGO	10.5
S6ND31	DEVRAJ	NAIDOO	SHARKFIN AC	10.1
U7AP18	PRAKASH	ASARAM	UMVOTI	9.8
R3NJ49	JARED	NAIDOO	REUNION AC	9.0
V2KS23	SAAGHIR	KADER	VIKINGS	9.0
T3NM03	MANIVELU	NAICKER	TREVALLY	8.9
I1KB12	BRANDON	KRAUSE	IFafa BEACH	8.6
S6NR27	RALF	NAICKER	SHARKFIN AC	8.6
U2RG38	GARRY	RUSTEBERG	UMHLALI	8.6
T2VV50	VINCENT	VAN ASWEGEN	TUNA	8.4
V2SF01	FAZIL	SHEIK	VIKINGS	8.1
S5HK41	KEVIN	HUMPHREYS	PORT NATAL	8.0
N1RK62	KELLY	ROBERTSON	NATAL ESTATES	8.0
T3PV50	VISHNU	PILLAY	TREVALLY	7.6
N3CC83	CARA	COWAN	N.C.A.A.	7.5
S4DR60	REYNEKE	DE WET	SOUTHPORT	7.4
C2LL14	LOUIS	LUTHER	CRACKERS	7.3
G3BI66	ILLANA	BENNETT	GLENMORE	6.8

POSTAL 2015 - 8th ROUND - OPEN TACKLE - 25-27 September 2015

TOP 40 - RANK POINTS

Angler Code	First Name	Surname	Club Name	RankPts
G3SO14	OCKERT	SCHONKEN	GLENMORE	100
I2DS11	STUART	DUNLOP	ISIPINGO	99
A3VR30	RIAAAN(JAN)	VAN NIEKERK	ABSOLUTE	98
A3EH42	HEINN	ESPACH	ABSOLUTE	97
M6GK12	KYLAN	GOVENDER	MEGALODON	96
M6GK03	KEVYN	GOVENDER	MEGALODON	95
G5SA01	ASHWIN	SINGH	BLACKFIN	94
G5SC04	CHAN	SINGH	BLACKFIN	93
A3PK20	KAMESH	PADAYACHEE	ABSOLUTE	92
M6PS08	SAYANDIRAN	PILLAY	MEGALODON	91
B1FM67	MATTHEW	FURNISS	BENDERS	90
A3DQ23	QUINTON	DAVIDS	ABSOLUTE	89
M6MV07	VADIVAL	MOODLEY	MEGALODON	88
L1MM91	MATTHEW	McIVER	LEVIATHAN	87
S5SG43	GRANT	ST CLAIR MULLEY	PORT NATAL	86
O2OR24	ROB	OPPERMAN	OLD BOYS	85
B1DC27	CLINTON	DUNK (DM)	BENDERS	84
G5SV18	VINAY	SEORAJ	BLACKFIN	83
B1CM17	MALCOLM	CURRIE	BENDERS	82
H2TL29	LARRY	TAIT	HIAWATHA	81
M5GR02	GRAYSON	GOVENDER	McWILLAW	80
L1AL76	LOUIS	ALLISON	LEVIATHAN	79
T4PT29	TERON	PERUMAL	THEKWINI	78
O2QC35	CHRIS	QUAYLE	OLD BOYS	77
V2LD10	DINESH	LALMAN	VIKINGS	76
G3VR11	RUDIE	VAN NIEKERK	GLENMORE	75
L1LL82	LLOYD	LAXTON	LEVIATHAN	74
A3UN01	NIRDEV	UDITH	ABSOLUTE	73
G5NA10	ANDREW	NARAINSAMY	BLACKFIN	72
N3RR76	ROBERT	RENALD	N.C.A.A.	71
L1TR81	RAY	THOMPSON	LEVIATHAN	70
T4IU21	UDAYRAJ	ISHWARLALL	THEKWINI	69
N3LM10	MORGAN	LYNCH	N.C.A.A.	68
U7VI38	ISAIAH	VARATHAN	UMVOTI	67
R3PT44	THOMERSHEN (T	PILLAY	REUNION AC	66
O2KR37	ROBERT	KYLE	OLD BOYS	66
B1GS66	STEFAN	GERMANN	BENDERS	64
H4MM10	MOHAMMED	MOOSA	HIBISCUS	63
B1KG62	GUS	KALTENBRUN	BENDERS	62
B1KG63	GUS	KALTENBRUN [JNR]	BENDERS	61
I2KM29	MACKIE	KRUGER	ISIPINGO	60
A3ST03	TREVOR	SANDER	ABSOLUTE	59
H2GR72	ROWEN	GOVENDEN	HIAWATHA	58
H4NG11	GANAS	NAIDOO	HIBISCUS	57
W2JL57	LEON	JOONE	WARNADOONE	56
M5PS72	SIAN	PILLAY	McWILLAW	55
H1MC31	CHARLES	MONSON	H.L.H TITANS	54
N3TR71	RYAN	TAYLOR	N.C.A.A.	53
A3AP27	PRGASEN	ALIMUTHOO	ABSOLUTE	52
T4RW27	WAYNE	RAMIAH	THEKWINI	51
G5RH40	HARISH	RAJARAM	BLACKFIN	51
R3ND28	DEAN	NAIDOO	REUNION AC	49
S5VW35	WILLEM	VILJOEN	PORT NATAL	49
S5VE13	EUGENE	VAN DER WESTHUIZEN	PORT NATAL	49
M5NN67	NARASHAN	NAIDOO	McWILLAW	46
T4SA28	AARON	SEOCHARAN	THEKWINI	45
G3VJ03	JACQUES	VENTER	GLENMORE	44
O2WC36	CRAIG	WELLS	OLD BOYS	43
B1TL02	LOUIS	TAYLOR	BENDERS	42
M5NK79	KEVIN	NAIDOO	McWILLAW	41
G3BG40	GRAME	BENNETT	GLENMORE	40
T5SS45	SHRINAAV	SAHADEV	TONGAAT R & S	39

M5PM11	MERVYN	PILLAY	McWILLAW	38
W2BA62	AIDEN	BALLAEVG	WARNADOONE	37
T4PR25	RISHILALL	PREETHLAL	THEKWINI	36
I1LJ14	JOHN	LINDSAY	IFafa BEACH	35
A3RR24	RANESH	RAMBARAN	ABSOLUTE	35
L1RC77	CHARLIE	ROSEVEAR	LEVIATHAN	33
U7BT54	TYRIN	BAYNE	UMVOTI	32
N3BA78	ALAN	BRUMMER	N.C.A.A.	32
U7MA49	ALI	MOHAMMAD	UMVOTI	30
N3PW77	WESLEY	PEENS	N.C.A.A.	29
O2PD13	DONALD	PITT	OLD BOYS	28
G5PS11	SANVIR	PAPA	BLACKFIN	27
O2MD03	DAYLE	MACK	OLD BOYS	27
M5CS80	SACHIN	CHATHARGOON	McWILLAW	25
N3LW81	WILLIAM	LANGFORD	N.C.A.A.	24
N3WB13	BLAYNE	WAREHAM	N.C.A.A.	23
A3VS41	SHUAIB	VAN DER SCHYFF	ABSOLUTE	22
M1PD01	DEAN	PRETORIUS	MARLIN	21
H4RS19	SATISH	RAMDIN	HIBISCUS	20
M1TG20	GEORGE	TRIPEPI	MARLIN	19
H2RS34	STEVEN	ROUILLON	HIAWATHA	19
L1MD19	DARYL	McKENZIE	LEVIATHAN	19
F2CG48	GODFREY	CHETTY	FLYING FISH	16
U5AN49	NATHAN	APPALRAJU	UVONGO	15
B1SA57	AVLIK	SINGH	BENDERS	14
O2DB43	BRETT	DICKSON	OLD BOYS	13
U7BJ53	JEREMY	BAYNE	UMVOTI	12
U7VE39	EMMANUEL	VARATHAN	UMVOTI	11
C2LG08	GARY	LLOYD	CRACKERS	10
U7RR52	RUWAAL	ROHITH	UMVOTI	10
B1SN56	NEM	SINGH	BENDERS	8
T4HJ43	JAINATH	HARSOO	THEKWINI	7
B1SN75	NERASH	SINGH	BENDERS	7
V2NA25	AJAN BOB	NEERMAL	VIKINGS	7
T4RS15	SANJAY	RAMSUROOP	THEKWINI	4
G3BB63	BYRON	BENNETT	GLENMORE	3
S6GK35	KYLE	GOVENDER	SHARKFIN AC	2
C2AE04	EWAN	ALANTHWAITE	CRACKERS	1

POSTAL 2015 - 8th ROUND - OPEN TACKLE - 25-27 September 2015

**2015**

**TOP 40 - RANK POINTS -CUMULATIVE**

<b>Angler_Code</b>	<b>First Name</b>	<b>Surname</b>	<b>Club Name</b>	<b>SumOfRankPts</b>
N3LM10	MORGAN	LYNCH	N.C.A.A.	609
L1AL76	LOUIS	ALLISON	LEVIATHAN	586
N3TR71	RYAN	TAYLOR	N.C.A.A.	548
O2KR37	ROBERT	KYLE	OLD BOYS	525
L1LL82	LLOYD	LAXTON	LEVIATHAN	523
S5SG43	GRANT	ST CLAIR MULLEY	PORT NATAL	509
N3WB13	BLAYNE	WAREHAM	N.C.A.A.	508
N3PW77	WESLEY	PEENS	N.C.A.A.	497
N3GD73	DION	GOVINDER	N.C.A.A.	491
S5VE13	EUGENE	VAN DER WESTHUIZEN	PORT NATAL	486
N3WB50	BARRY	WAREHAM	N.C.A.A.	477
L1TR81	RAY	THOMPSON	LEVIATHAN	473
O2QC35	CHRIS	QUAYLE	OLD BOYS	462
L1MD19	DARYL	McKENZIE	LEVIATHAN	457
L1SG32	GREGORY	SUTHERLAND	LEVIATHAN	441
L1MM91	MATTHEW	McIVER	LEVIATHAN	435
L1RC77	CHARLIE	ROSEVEAR	LEVIATHAN	406
G5NA10	ANDREW	NARAINSAMY	BLACKFIN	393
O2MD03	DAYLE	MACK	OLD BOYS	381
B1KG62	GUS	KALTENBRUN	BENDERS	374
O2WC36	CRAIG	WELLS	OLD BOYS	369
S5VW35	WILLEM	VILJOEN	PORT NATAL	363
G5SC04	CHAN	SINGH	BLACKFIN	358
G5SA01	ASHWIN	SINGH	BLACKFIN	330
O2OR24	ROB	OPPERMAN	OLD BOYS	329
M5CS80	SACHIN	CHATHARGOON	McWILLAW	328
B1GS66	STEFAN	GERMANN	BENDERS	323
H1SR36	RAVEEN	SINGH	H.L.H TITANS	322
N3WC41	CRAIG	WESLEY	N.C.A.A.	319
O2PD13	DONALD	PITT	OLD BOYS	308
L1KM27	MIKE	KARON	LEVIATHAN	306
M5PM11	MERVYN	PILLAY	McWILLAW	303
N3DP22	PETER	DRAKE	N.C.A.A.	295
R3ND28	DEAN	NAIDOO	REUNION AC	293
I2KM29	MACKIE	KRUGER	ISIPINGO	293
S5DJ20	JAN	DE JONGH	PORT NATAL	284
H1GP38	PASLENE	GOVENDER	H.L.H TITANS	284
N3BA78	ALAN	BRUMMER	N.C.A.A.	278
O2RV12	VAUGHAN	REILLY	OLD BOYS	277
B1KG63	GUS	KALTENBRUN [JNR]	BENDERS	267
H2ZJ45	JUSTIN	ZEELIE	HIAWATHA	265
B1SA57	AVLIK	SINGH	BENDERS	263
O2GD38	DAVID	GAUL	OLD BOYS	262
W2PI55	IAN	PRETORIUS	WARNADOONE	259
I2DS11	STUART	DUNLOP	ISIPINGO	259
S5SB39	BRUCE	SWANEPOEL	PORT NATAL	258
M5AM77	MOHAMMED	AZGHAR SHEIK	McWILLAW	257
B1CB71	BERNIE	CLARKE	BENDERS	251
L1NV26	VELOSHAN	NAICKER	LEVIATHAN	249
M6GK12	KYLAN	GOVENDER	MEGALODON	246
S5VP46	PIERRE	VILJOEN	PORT NATAL	239
S5BC02	COENRAAD	BEZUIDENHOUT	PORT NATAL	238
N3ID31	DAVE	IRVINE	N.C.A.A.	238
B1FM67	MATTHEW	FURNISS	BENDERS	237
H2DT69	TIMOTHY	DUNK	HIAWATHA	234

T5SS45	SHRINAAV	SAHADEV	TONGAAT R & S	233
W2SS27	SEAN	SAVILLE	WARNADOONE	231
N3RR76	ROBERT	RENALD	N.C.A.A.	227
A3ST03	TREVOR	SANDER	ABSOLUTE	222
O2SB40	BRADLEY	SWAN	OLD BOYS	221
B1CM17	MALCOLM	CURRIE	BENDERS	219
N3GJ12	JUSTIN	GIAI-MINIETTI	N.C.A.A.	219
L1ML93	LUKE	McKENZIE	LEVIATHAN	216
L1JR22	RICKY	JACOBS	LEVIATHAN	214
S5AH01	HEINRICH	ALLERS	PORT NATAL	214
M5GR02	GRAYSON	GOVENDER	McWILLAW	212
H2GR72	ROWEN	GOVENDEN	HIAWATHA	205
N7MT24	CRAIG	MOONSAMI	NEMESIS	205
M6PS08	SAYANDIRAN	PILLAY	MEGALODON	204
B1DC27	CLINTON	DUNK (DM)	BENDERS	204
M5NK79	KEVIN	NAIDOO	McWILLAW	204
L1RN92	NICHOLAS	ROBINSON	LEVIATHAN	203
T2GL13	LANCE	GROBLER	TUNA	199
B1TL02	LOUIS	TAYLOR	BENDERS	197
M6GK03	KEVYN	GOVENDER	MEGALODON	197
W2AL51	LIAM	ARFINGSHALL	WARNADOONE	190
A3DQ23	QUINTON	DAVIDS	ABSOLUTE	188
B1MD26	DAVID	MURGATROYD	BENDERS	187
O2BJ44	JASON	BANKS	OLD BOYS	187
T4PT29	TERON	PERUMAL	THEKWINI	182
T2RA11	GERRY	RAMBARAN	TUNA	181
T5MT11	THASVIR	MUNGAL	TONGAAT R & S	181
G5PS11	SANVIR	PAPA	BLACKFIN	180
A3EH42	HEINN	ESPACH	ABSOLUTE	180
U7VE39	EMMANUEL	VARATHAN	UMVOTI	178
H2VM52	MICHAEL	VLCEK	HIAWATHA	178
A3VR30	RIAAAN(JAN)	VAN NIEKERK	ABSOLUTE	178
M1PD01	DEAN	PRETORIUS	MARLIN	177
M1AN67	NEIL	ARLOW	MARLIN	177
O2DB43	BRETT	DICKSON	OLD BOYS	177
W2BR31	RENIER	BEKKER	WARNADOONE	174
N7NW07	WILLY	NAICKER	NEMESIS	174
V2LD10	DINESH	LALMAN	VIKINGS	173
M6MV07	VADIVAL	MOODLEY	MEGALODON	168
T5SN34	NIRESH	SEWCHAND	TONGAAT R & S	167
H2TL29	LARRY	TAIT	HIAWATHA	167
G3DG68	GERRIT	DU PLESSIS	GLENMORE	167
M1TG20	GEORGE	TRIPEPI	MARLIN	165
G3SO14	OCKERT	SCHONKEN	GLENMORE	164
G3BG40	GRAME	BENNETT	GLENMORE	162
L1MK86	KRIESEN	MOODLEY	LEVIATHAN	161
R3NK12	KRISH	NAIDOO	REUNION AC	161
T2BG17	GARY	BOULANGER	TUNA	160
M5TS50	SUNDRAN	THEVADASAN	McWILLAW	157
R3SN15	NERASH	SINGH	REUNION AC	157
W2VH01	HENDRIK	VORSTER	WARNADOONE	155
T4IU21	UDAYRAJ	ISHWARLALL	THEKWINI	153
H2TM74	MARTIN	TALJAARD	HIAWATHA	145
G3GM74	MORNE	GARDINER	GLENMORE	142
I1LJ14	JOHN	LINDSAY	IFafa BEACH	142
M5RA62	ASHEER	RAMKALAWAN	McWILLAW	137
V2MZ12	ZAHED(GHOTI)	MOOSA	VIKINGS	136
G5RH40	HARISH	RAJARAM	BLACKFIN	133
W2SJ53	KOOT	SCHEEPERS	WARNADOONE	133

B1SN56	NEM	SINGH	BENDERS	131
T5SR35	RYAN	SINGH	TONGAAT R & S	131
G5GR31	REMLIN	GOUNDEN	BLACKFIN	128
H2GE62	ETIENNE	GERBER	HIAWATHA	126
M5PS72	SIAN	PILLAY	McWILLAW	125
M5GK40	KAVEN	GOVENDER	McWILLAW	122
U7VI38	ISAIAH	VARATHAN	UMVOTI	117
T3GN47	NOEL	GABRIEL	TREVALLY	117
I2SG07	GAVIN	SWARTS	ISIPINGO	117
U2MI62	IAN	MULCAHY	UMHLALI	117
w2DE13	EDDIE	DE BRUYN	WARNADOONE	117
B1DR22	BOBBIE	DEUTSCHMANN	BENDERS	116
R3CJ53	JEROME	CHARLES	REUNION AC	116
T2MS51	SANJEEVAN	MOODLEY	TUNA	115
R3MS45	SAGREN	MOODLEY	REUNION AC	114
H1ND37	DHAVEN	NAIDOO	H.L.H TITANS	113
S5HV38	VERITY	HAYTER	PORT NATAL	111
R3PT44	THOMERSHEN (T	PILLAY	REUNION AC	109
R3HR17	ROHAN	HARILAL	REUNION AC	108
R3GJ35	JACE	GOVENDER	REUNION AC	106
M1LJ17	JOHANN	LINDEQUE	MARLIN	106
F2CG48	GODFREY	CHETTY	FLYING FISH	106
B1MK58	KEAGAN	MURGATROYD	BENDERS	106
M5AP61	PERROSHAN	ACHARY	McWILLAW	104
B1CC04	CAMMY	CLARKE	BENDERS	103
H2KN55	NATHAN	KEEGAN	HIAWATHA	101
C2AE04	EWAN	ALANTHWAITE	CRACKERS	101
N3GS74	SHARMLIN	GOVENDER	N.C.A.A.	101
C2GM20	MARTIN	GORDON	CRACKERS	101
L1RR96	RALPH	RIGGIEN	LEVIATHAN	99
W2PS58	SIAN	PRETORIUS	WARNADOONE	99
L1JS09	SHAUN	JACOBS	LEVIATHAN	99
G3VR11	RUDIE	VAN NIEKERK	GLENMORE	98
T4SA28	AARON	SEOCHARAN	THEKWINI	98
V2PS07	SIVA	PILLAY	VIKINGS	97
I2PB47	BRADLEY	PRISMAIL	ISIPINGO	97
H4SD02	DEEPAK	SEWPERSAD	HIBISCUS	97
U7MA49	ALI	MOHAMMAD	UMVOTI	97
R3MS02	SELVAN	MOODLEY	REUNION AC	97
S3MC04	CHARLES	MADARAVIRAN	SHEPSTONE	95
M1DC35	CASSIE	DE CLERQ	MARLIN	93
A3PK20	KAMESH	PADAYACHEE	ABSOLUTE	92
N3LW81	WILLIAM	LANGFORD	N.C.A.A.	91
T4PR25	RISHILALL	PREETHLAL	THEKWINI	90
M5SA12	ARJOON	SINGH	McWILLAW	89
M6NC22	CLAUDE	NAIDOO	MEGALODON	89
R3CR26	RAMLOO	CHETTY	REUNION AC	89
A3AP27	PRAGASEN	ALIMUTHOO	ABSOLUTE	88
H4GD15	DESMOND	GOVENDER	HIBISCUS	88
T4RW27	WAYNE	RAMIAH	THEKWINI	86
N3YT61	TISH	YELLAND	N.C.A.A.	86
G3VJ03	JACQUES	VENTER	GLENMORE	86
G3NP77	PIETER	NOETH	GLENMORE	85
F2NG18	GRINGO	NAICKER	FLYING FISH	85
S5WK27	KEITH	WILLIAMS	PORT NATAL	83
G5SV18	VINAY	SEORAJ	BLACKFIN	83
F2CC43	CHRISTY	CHETTY	FLYING FISH	82
U7IJ45	JUNAID	ISMAIL	UMVOTI	82
G3AD78	DEAN	ANGOVE	GLENMORE	81



N3DC11	CHRIS	DALES	N.C.A.A.	80
G3VR75	RAYMOND	VAN GOEVERTEN	GLENMORE	79
M1AR76	ROY	ALDERSON	MARLIN	78
I1SL21	LAWRENCE	SCHRODER	IFAFA BEACH	77
H2GR73	RAVI	GOVENDEN	HIAWATHA	74
A3UN01	NIRDEV	UDITH	ABSOLUTE	73
H1SA52	ABESHAN	SUDU	H.L.H TITANS	70
W2CV44	VAUGHN	CLENDENNER	WARNADOONE	69
H1NL55	LUSHEN	NAIDOO	H.L.H TITANS	69
S3NC18	CLIVE	NAIDOO	SHEPSTONE	68
F2MA20	ALEESHAN	MUDERA MUTHU	FLYING FISH	68
R3PS01	SUN DESH	PURPAD	REUNION AC	67
R3GK34	KIOSHAN	GOVENDER	REUNION AC	67
N7NS18	SAGIE	NAIDOO	NEMESIS	67
S6DR39	ROLAND	DEBIPERSAD	SHARKFIN AC	67
S6MK05	KEITH	MUDARY	SHARKFIN AC	65
G3BB63	BYRON	BENNETT	GLENMORE	65
U7BT54	TYRIN	BAYNE	UMVOTI	65
S6SY53	YUVELLAN	SOOKAYE	SHARKFIN AC	63
H4MM10	MOHAMMED	MOOSA	HIBISCUS	63
A3LT43	TYRONE	LEEMANS	ABSOLUTE	63
H2RS34	STEVEN	ROUILLON	HIAWATHA	63
H4RR53	REEVEK	RAMLALL	HIBISCUS	62
I1FR20	RICHARD	FULLAGAR	IFAFA BEACH	62
T5SK43	KESHAV	SAHADEV	TONGAAT R & S	62
C2VC05	CLIVE	VAN RENSBURG	CRACKERS	61
H2GB37	BRAD	GROBLER	HIAWATHA	60
S6NB20	BARBS	NAICKER	SHARKFIN AC	60
A3SA17	ASHWIN[ASH]	SINGH	ABSOLUTE	58
H4NG11	GANAS	NAIDOO	HIBISCUS	57
U7BJ53	JEREMY	BAYNE	UMVOTI	56
W2JL57	LEON	JOONE	WARNADOONE	56
S5BC03	CLINTON	BEZUIDENHOUT	PORT NATAL	56
A3VS41	SHUAIB	VAN DER SCHYFF	ABSOLUTE	55
C2LG08	GARY	LLOYD	CRACKERS	54
T2BD02	DORIAN	BENNETTS	TUNA	54
H1MC31	CHARLES	MONSON	H.L.H TITANS	54
W2BA62	AIDEN	BALLAEVG	WARNADOONE	53
H1NK40	KEVIN(SHANE)	NAIDOO	H.L.H TITANS	53
N3BC26	CHRIS	BUITENDACH	N.C.A.A.	52
T4RS15	SANJAY	RAMSUROOP	THEKWINI	52
V2LK03	KILLER (KIREN)	LALMAN	VIKINGS	50
C2MI16	IAN	MASON	CRACKERS	50
T5SD37	SESAN	SOOBARAMONEY	TONGAAT R & S	49
N3OD18	DAVE	OELOFSE	N.C.A.A.	48
U5AN49	NATHAN	APPALRAJU	UVONGO	48
M5NN67	NARASHAN	NAIDOO	McWILLAW	46
G5SF23	FAROOK	SHAIK HASSAN	BLACKFIN	45
I2BA25	ALAN	BOTHA	ISIPINGO	45
U5CK10	KEVIN	COWAN	UVONGO	44
I2RM18	MICHAEL	RODGER	ISIPINGO	42
N7NR07	RAVI	NAIDOO	NEMESIS	42
U2JR99	ROB	JAMESON	UMHLALI	41
R3LT09	TYRONE	LEEMANS	REUNION AC	41
T4CS02	STANLEY	CHETTY	THEKWINI	40
R3NJ49	JARED	NAIDOO	REUNION AC	39
S6NR10	RALDEN	NAICKER	SHARKFIN AC	39
H2RK20	KEITH	ROBERTSON	HIAWATHA	38
N7JR48	RAJESH	JAGROP	NEMESIS	37

M1JK82	KOBUS	JANSE VAN VUUREN	MARLIN	36
S6GK35	KYLE	GOVENDER	SHARKFIN AC	36
U7RN47	NITESH	RAMLUCKAN	UMVOTI	36
B1KT73	THOMAS	KONIG	BENDERS	36
A3RR24	RANESH	RAMBARAN	ABSOLUTE	35
V2PD22	DEVADASAN	PILLAY	VIKINGS	33
N7CV23	VIS	CHETTY	NEMESIS	31
M5IM81	MOHAMED	IRSHAD FARID	McWILLAW	29
M1MC60	CLIVE	MARKS	MARLIN	29
A3MM07	MARK	MELLON	ABSOLUTE	28
N3PG64	GLEN	PATERSON	N.C.A.A.	27
U7CK51	KUGAN	CHETTY	UMVOTI	26
U2WA89	ALEXANDER	WHITEHEAD	UMHLALI	24
N7PS03	SELVA	PILLAY	NEMESIS	23
G5RN16	NORENDH	RAMDAS	BLACKFIN	23
S6NR27	RALF	NAICKER	SHARKFIN AC	22
H1VK49	H1VK49	VASAR	H.L.H TITANS	22
C2DG41	GRANT	GRANT	CRACKERS	21
N7PM17	MYAN	PADAYACHEE	NEMESIS	21
H4RS19	SATISH	RAMDIN	HIBISCUS	20
R3GK50	KUMERSHEN	GOVENDER	REUNION AC	19
M1SN61	NICOLAAS	SMIT	MARLIN	18
N7PP06	PATHMANATHAN	PILLAY	NEMESIS	17
I2JP32	POUL	JENSEN	ISIPINGO	16
U9HM09	MIKE	HERHOLDT	UNDERBERG	16
G3MK70	KENNETH	McLACHLAN	GLENMORE	16
T2SM57	MICHAEL	STUBBS	TUNA	15
S5HK41	KEVIN	HUMPHREYS	PORT NATAL	15
N3CC83	CARA	COWAN	N.C.A.A.	13
T3KB40	BASHIN	KISTNAN	TREVALLY	13
T3SR36	ROBIN	SEWDULAR	TREVALLY	13
N7OF22	FEEYAZ	OSMAN	NEMESIS	13
N7MN05	NAVIN	MOHUNLAL	NEMESIS	12
R3NC52	COHIN	NAICKER	REUNION AC	12
F2ND17	POONSAMY	NAICKER	FLYING FISH	10
U7RR52	RUWAAL	ROHITH	UMVOTI	10
I1KB11	BARRY	KRAUSE	IFafa BEACH	10
T3ND39	DARREN	NUNDKISUN	TREVALLY	8
T2LB03	BILLY	LORENZO	TUNA	8
T5DV13	VINESH	PRAGALATH	TONGAAT R & S	7
B1SN75	NERASH	SINGH	BENDERS	7
T4HJ43	JAINATH	HARSOO	THEKWINI	7
V2NA25	AJAN BOB	NEERMAL	VIKINGS	7
N3YM59	MATTHEW	YELLAND	N.C.A.A.	6
S4DR60	REYNEKE	DE WET	SOUTHPORT	6
U2NG35	GUY	NICHOLSON	UMHLALI	6
A3NN09	NOEL	NADASEN	ABSOLUTE	6
T4RS05	SANJEEN	RAMSUROOP	THEKWINI	5
U2PR21	RUDI	PRETORUIS	UMHLALI	4
T2SA56	ANDREW	SMITH	TUNA	3
R3CS48	SAVESHEN	CHETTY	REUNION AC	2
F2MK05	KUBEN	MUDERA MUTHU	FLYING FISH	2
H1PM54	MARIUS	PIENAAR	H.L.H TITANS	1
U7AP18	PRAKASH	ASARAM	UMVOTI	1

POSTAL 2015 - 8th ROUND - OPEN TACKLE - 25-27 September 2015

TOP 40 - NUMBER OF FISH

Angler Code	First Name	Surname	Club Name	No. of Fish
M6PS08	SAYANDIRAN	PILLAY	MEGALODON	13
M6MV07	VADIVAL	MOODLEY	MEGALODON	11
M6GK12	KYLAN	GOVENDER	MEGALODON	11
B1FM67	MATTHEW	FURNISS	BENDERS	10
M6GK03	KEVYN	GOVENDER	MEGALODON	9
A3VR30	RIAAAN(JAN)	VAN NIEKERK	ABSOLUTE	9
G5SA01	ASHWIN	SINGH	BLACKFIN	9
G5SC04	CHAN	SINGH	BLACKFIN	8
A3EH42	HEINN	ESPACH	ABSOLUTE	7
B1DC27	CLINTON	DUNK (DM)	BENDERS	7
B1CM17	MALCOLM	CURRIE	BENDERS	7
G3VR11	RUDIE	VAN NIEKERK	GLENMORE	7
N3RR76	ROBERT	RENALD	N.C.A.A.	6
H4NG11	GANAS	NAIDOO	HIBISCUS	6
H4MM10	MOHAMMED	MOOSA	HIBISCUS	6
G5SV18	VINAY	SEORAJ	BLACKFIN	6
G5NA10	ANDREW	NARAINSAMY	BLACKFIN	6
T4IU21	UDAYRAJ	ISHWARLALL	THEKWINI	6
T4PT29	TERON	PERUMAL	THEKWINI	6
N3LM10	MORGAN	LYNCH	N.C.A.A.	6
U7VI38	ISAIAH	VARATHAN	UMVOTI	5
L1LL82	LLOYD	LAXTON	LEVIATHAN	5
B1KG62	GUS	KALTENBRUN	BENDERS	5
O2OR24	ROB	OPPERMAN	OLD BOYS	5
G3BG40	GRAME	BENNETT	GLENMORE	5
O2KR37	ROBERT	KYLE	OLD BOYS	4
N7NS18	SAGIE	NAIDOO	NEMESIS	4
G5RH40	HARISH	RAJARAM	BLACKFIN	4
L1AL76	LOUIS	ALLISON	LEVIATHAN	4
N3TR71	RYAN	TAYLOR	N.C.A.A.	4
B1TL02	LOUIS	TAYLOR	BENDERS	4
H1MC31	CHARLES	MONSON	H.L.H TITANS	4
B1GS66	STEFAN	GERMANN	BENDERS	4
I1LJ14	JOHN	LINDSAY	IFafa BEACH	4
T4SA28	AARON	SEOCHARAN	THEKWINI	4
O2QC35	CHRIS	QUAYLE	OLD BOYS	3
O2WC36	CRAIG	WELLS	OLD BOYS	3
G5PS11	SANVIR	PAPA	BLACKFIN	3
U7BT54	TYRIN	BAYNE	UMVOTI	3
A3PK20	KAMESH	PADAYACHEE	ABSOLUTE	3
G3BI66	ILLANA	BENNETT	GLENMORE	3
N3WB13	BLAYNE	WAREHAM	N.C.A.A.	3
N3LW81	WILLIAM	LANGFORD	N.C.A.A.	3
L1RC77	CHARLIE	ROSEVEAR	LEVIATHAN	3
N3BA78	ALAN	BRUMMER	N.C.A.A.	3
A3DQ23	QUINTON	DAVIDS	ABSOLUTE	3
T4RW27	WAYNE	RAMIAH	THEKWINI	3
B1KG63	GUS	KALTENBRUN [JNR]	BENDERS	3
U5AN49	NATHAN	APPALRAJU	UVONGO	3
U7MA49	ALI	MOHAMMAD	UMVOTI	3
N3PW77	WESLEY	PEENS	N.C.A.A.	3
T4PR25	RISHILALL	PREETHLAL	THEKWINI	3

POSTAL 2015 - 8th ROUND - OPEN TACKLE - 25-27 September 2015

2015

TOP 40 - NUMBER OF FISH - CUMULATIVE

Angler Code	First Name	Surname	Club Name	No. of Fish
L1LL82	LLOYD	LAXTON	LEVIATHAN	78
N3LM10	MORGAN	LYNCH	N.C.A.A.	75
L1AL76	LOUIS	ALLISON	LEVIATHAN	65
N3PW77	WESLEY	PEENS	N.C.A.A.	63
L1TR81	RAY	THOMPSON	LEVIATHAN	62
N3WB13	BLAYNE	WAREHAM	N.C.A.A.	58
L1MD19	DARYL	MCKENZIE	LEVIATHAN	57
L1SG32	GREGORY	SUTHERLAND	LEVIATHAN	56
O2KR37	ROBERT	KYLE	OLD BOYS	54
N3GD73	DION	GOVINDER	N.C.A.A.	53
N3TR71	RYAN	TAYLOR	N.C.A.A.	53
N3WB50	BARRY	WAREHAM	N.C.A.A.	51
L1RC77	CHARLIE	ROSEVEAR	LEVIATHAN	44
L1MM91	MATTHEW	McIVER	LEVIATHAN	40
O2MD03	DAYLE	MACK	OLD BOYS	39
H2DT69	TIMOTHY	DUNK	HIAWATHA	38
L1KM27	MIKE	KARON	LEVIATHAN	37
S5VE13	EUGENE	VAN DER WESTHUIZEN	PORT NATAL	35
B1GS66	STEFAN	GERMANN	BENDERS	34
G5NA10	ANDREW	NARAINSAMY	BLACKFIN	34
M6GK12	KYLAN	GOVENDER	MEGALODON	32
N3WC41	CRAIG	WESLEY	N.C.A.A.	32
H2ZJ45	JUSTIN	ZEELIE	HIAWATHA	31
G5SA01	ASHWIN	SINGH	BLACKFIN	31
O2QC35	CHRIS	QUAYLE	OLD BOYS	31
B1FM67	MATTHEW	FURNISS	BENDERS	31
N3DP22	PETER	DRAKE	N.C.A.A.	30
M6PS08	SAYANDIRAN	PILLAY	MEGALODON	29
L1NV26	VELOSHAN	NAICKER	LEVIATHAN	29
H1SR36	RAVEEN	SINGH	H.L.H TITANS	29
N3BA78	ALAN	BRUMMER	N.C.A.A.	29
N3ID31	DAVE	IRVINE	N.C.A.A.	29
S5DJ20	JAN	DE JONGH	PORT NATAL	28
M5CS80	SACHIN	CHATHARGOON	McWILLAW	28
S5SG43	GRANT	ST CLAIR MULLEY	PORT NATAL	27
H1GP38	PASLENE	GOVENDER	H.L.H TITANS	27
T5MT11	THASVIR	MUNGAL	TONGAAT R & S	27
L1RN92	NICHOLAS	ROBINSON	LEVIATHAN	27
H2VM52	MICHAEL	VLCEK	HIAWATHA	27
A3VR30	RIAAAN(JAN)	VAN NIEKERK	ABSOLUTE	26
I2KM29	MACKIE	KRUGER	ISIPINGO	26
G5SC04	CHAN	SINGH	BLACKFIN	26
B1KG63	GUS	KALTENBRUN [JNR]	BENDERS	25
T5SN34	NIRESH	SEWCHAND	TONGAAT R & S	25
N3RR76	ROBERT	RENALD	N.C.A.A.	25
O2WC36	CRAIG	WELLS	OLD BOYS	25
L1ML93	LUKE	MCKENZIE	LEVIATHAN	24
N3GJ12	JUSTIN	GIAI-MINIETTI	N.C.A.A.	24
M6GK03	KEVYN	GOVENDER	MEGALODON	24
S5SB39	BRUCE	SWANEPOEL	PORT NATAL	23
B1KG62	GUS	KALTENBRUN	BENDERS	23

**POSTAL 2015 - 8th ROUND - OPEN TACKLE - 25-27 September 2015**

**Some of the Better Edibles Caught**

<b>First Name</b>	<b>Surname</b>	<b>Club Name</b>	<b>Type</b>	<b>Weight</b>
DEAN	PRETORIUS	MARLIN	Kob	7.9
CLINTON	DUNK (DM)	BENDERS	Garrick	7.9
GODFREY	CHETTY	FLYING FISH	Garrick	6.6
GEORGE	TRIPEPI	MARLIN	Kob	5.4

**Some of the Better Inedibles Caught**

<b>First Name</b>	<b>Surname</b>	<b>Club Name</b>	<b>Type</b>	<b>Weight</b>
OCKERT	SCHONKEN	GLENMORE	Raggie	199.1
STUART	DUNLOP	ISIPINGO	Raggie	103.7
STUART	DUNLOP	ISIPINGO	Bronze Whaler	93
MATTHEW	McIVER	LEVIATHAN	Honeycomb	53.9
LARRY	TAIT	HIAWATHA	Diamond	46.9
RIAAN(JAN)	VAN NIEKERK	ABSOLUTE	Diamond	43.7
DINESH	LALMAN	VIKINGS	Hammerhead	43.1
HEINN	ESPACH	ABSOLUTE	Diamond	41.3
NIRDEV	UDITH	ABSOLUTE	Diamond	41.3
ASHWIN	SINGH	BLACKFIN	Diamond	39.1
HEINN	ESPACH	ABSOLUTE	Diamond	36.2
GRANT	ST CLAIR MULLEY	PORT NATAL	Diamond	35.6
QUINTON	DAVIDS	ABSOLUTE	Diamond	33.5
RIAAN(JAN)	VAN NIEKERK	ABSOLUTE	Diamond	31.6
KAMESH	PADAYACHEE	ABSOLUTE	Diamond	30.9
RAY	THOMPSON	LEVIATHAN	Diamond	30.9
CHAN	SINGH	BLACKFIN	Eagle Ray	30.8
HEINN	ESPACH	ABSOLUTE	Sand Shark	30.6
KAMESH	PADAYACHEE	ABSOLUTE	Diamond	30.3

**POSTAL 2015 - 8th ROUND - OPEN TACKLE - 25-27 September 2015**

**Analysis of Fish Caught**

**Round 6**

**Cumulative to Date**

Specie	Qty	Weight	Specie	Qty	Weight
Grey/Dusky Shark	172	1242.3	Stonebream	93	111.3
Brown Skate	40	387.8	Zambesi	2	105.4
Diamond	38	989.4	Shad	79	105.0
Hammerhead	22	264.1	Blackspot Shark	18	101.2
Bronzebream	16	29.8	Bronze Whaler	2	99.7
Shad	16	18.3	Lesser	29	90.5
Blacktail	15	15.6	White Sea Catfish	39	70.4
Spinner Shark	13	69.6	Thorntail Stingray	1	68.5
Kob	11	33.5	Pompano Southern	38	68.3
Blue Skate	10	82.7	Hound Shark Flap Nose	19	54.7
Stonebream	7	7.3	Speckle Snapper	25	49.9
Sand Shark	6	108.1	Yellowbelly Rockcod	23	49.7
Honeycomb	4	112.3	Blacktail	45	49.6
Raggie	3	323.9	Greyspot Lesser	15	46.4
Stumpnose Natal	3	6.8	Stumpnose Natal	14	38.3
Bronze Whaler	2	99.7	Duckbill	2	35.1
Eagle Ray	2	34.3	Eagle Ray	2	34.3
Blackspot Shark	2	19.7	Musselcracker - Black	3	30.9
Garrick	2	14.5	Geelbek	3	24.1
Lesser	2	6.6	Lemonfish	14	22.1
Hound Shark Flap Nose	2	5.1	Garrick	2	14.5
Catface Rockcod	2	2.7	Blacktip Reef	3	13.1
Blackfin	1	11.3	Electric Ray	5	12.2
Hound Shark	1	2.9	Bonfish	5	11.9
Electric Ray	1	2.7	Baardman	6	11.8
Milk Shark	1	2.2	Blue Shark	1	8.9
Pompano Southern	1	1.4	Angelshark	1	6.8
Stumpnose Cape	1	1.0	Black Spot Shark	1	6.5
<b>Cumulative to Date</b>			Kingfish Blacktip	1	6.0
<b>Specie</b>	<b>Qty</b>	<b>Weight</b>	Pickhandle Couta	1	6.0
Diamond	1648	85521.6	Springer	1	5.8
Grey/Dusky Shark	580	4052.8	Malabar Rockcod	2	5.5
Raggie	29	2487.2	Java Shark	1	5.3
Sand Shark	44	935.2	scotsman	1	4.7
Brown Skate	80	813.4	Stumpnose Cape	4	4.4
Hound Shark	53	781.5	Wrasse	3	3.2
Hammerhead	58	720.5	Zebra	2	3.1
Kob	195	675.8	Hottentot Blue	1	2.8
Spinner Shark	206	651.1	Grunter Spotted	2	2.5
Blue Skate	53	649.9	Banded Galgoen	2	2.2
Blackfin	8	311.7	Queenfish Talung	1	2.2
Honeycomb	8	301.8	Rubber Lip	1	2.0
Catface Rockcod	126	240.2	Chubb	1	2.0
Eel Tail catfish	167	209.0	Galjoen	1	1.4
Cave Bass	83	157.5	Catshark Banded	1	1.4
Bronzebream	74	154.8	Potato Bass	1	1.3
Sandbar Shark	11	140.9	Mullet	1	1.1
Milk Shark	34	121.6	Mirrorfish (Threadfin)	1	1.1
			Concertina Fish	1	1.0

Postal Round	Anglers	Fish Caught	Weight	Average
1	251	697	28957.8	41.55
2	255	828	40387.3	48.78
3	241	393	17361.5	44.18
4	226	387	1400.2	3.62
5	234	413	2122.7	5.14
6	228	280	1693.7	6.05
7	242	583	6536.3	11.21
8	212	396	4026.5	10.17